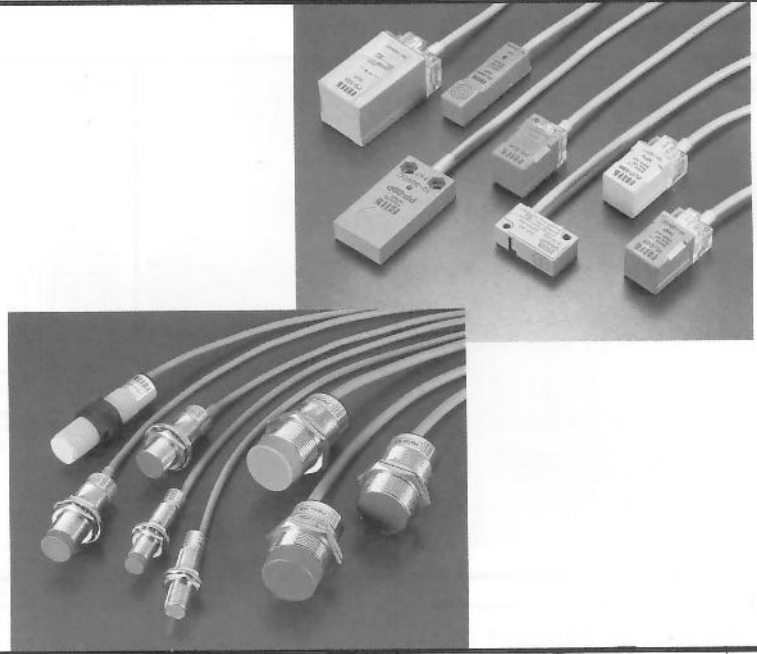


- \* DC type have short circuit protection , polarity reversed protection ; AC type have surge absorbing circuit may avoid damaged
- \* High solid compact structure - IP67 - applied in poor circum - stance suitable
- \* All models with operating LED , adjusted conveniently .



## Model Guiding

### Tubular Type

**Ex. PM-12-04 N B-S**

① ② ③ ④ ⑤ ⑥

① Type 形状

PM = Screw Type

② Outline Diameter 外徑

12 = M12    18 = M18

30 = M30

③ Sensing Distance 檢測距離

02 = 2.0mm    10 = 10.0mm

05 = 5.0mm    15 = 15.0mm

④ Output Method 輸出方式

N = NPN    P = PNP

S = SCR

⑤ Output Status 輸出狀態

B = NC Type

Non = No Type

⑥ Length of Body 身體長度

S = Short Type

Non = Standard Type

### Square Type

**Ex. PS-04 N B-V**

① ② ③ ④ ⑤

① Type 形状

PS = Square Type    PP = Plate Type

PL = Long Type    BS = Micro Type

② Sensing Distance 檢測距離

04 = 4.0mm    10 = 10.0mm

05 = 5.0mm    15 = 15.0mm

③ Output Method 輸出方式

N = NPN    P = PNP

S = SCR

④ Output Status 輸出狀態

B = NC Type

Non = No Type

⑤ Direction of Sensing 檢測方面

V = Vertical Type

Non = Horizontal Type

Note : The B < NC > Type Have No Stock Maybe,  
Accepted Order To Manufacture.

## M8/M12 Tubular Type

Outline Dimension	Model	Output Status	Output Method	Operating Voltage	Sensing Direction	Response Frequency	Mounting Method
	PM08-01N	NO	NPN	10 ~ 30 VDC	1.0mm	2.5KHZ	Flushed
	PM08-01NB	NC					
	PM08-01P	NO	PNP				
	PM08-01PB	NC					
	PM08-02N	NO	NPN	10 ~ 30 VDC	2.0mm	2.5KHZ	Non-Flushed
	PM08-02NB	NC					
	PM08-02P	NO	PNP				
	PM08-02PB	NC					
	PM12-02N-S	NO	NPN	10 ~ 30 VDC	2.0mm	2.5KHZ	Flushed
	PM12-02NB-S	NC					
	PM12-02P-S	NO	PNP				
	PM12-02PB-S	NC					
	PM12-04N-S	NO	NPN	10 ~ 30 VDC	4.0mm	2.5KHZ	Non-Flushed
	PM12-04NB-S	NC					
	PM12-04P-S	NO	PNP				
	PM12-04PB-S	NC					
	PM12-02N	NO	NPN	10 ~ 30 VDC	2.0mm	2.5KHZ	Flushed
	PM12-02NB	NC					
	PM12-02P	NO	PNP				
	PM12-02PB	NC					
	PM12-04N	NO	NPN	10 ~ 30 VDC	4.0mm	2.5KHZ	Non-Flushed
	PM12-04NB	NC					
	PM12-04P	NO	PNP				
	PM12-04PB	NC					
	PM12-02S	NO	SCR	90 ~ 250 VAC	2.0mm	20HZ	Flushed
	PM12-02SB	NC					
	PM12-04S	NO	SCR	90 ~ 250 VAC	4.0mm	20HZ	Non-Flushed
	PM12-04SB	NC					

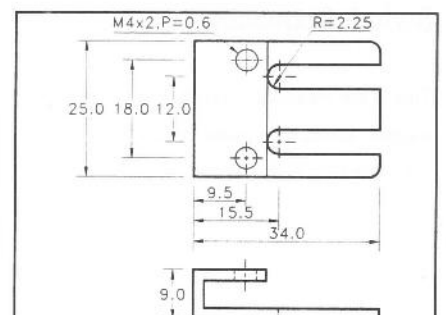
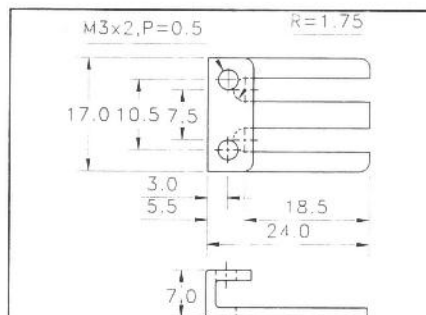
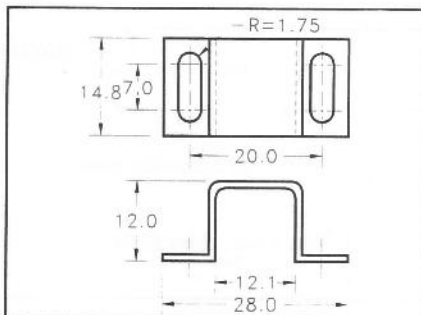
## M18 Tubular Type

Outline Dimension	Model	Output Status	Output Method	Operating Voltage	Sensing Direction	Response Frequency	Mounting Method								
	PM18-05N-S	NO	NPN	10 ~ 30 VDC	5.0mm	800HZ	Flushed								
	PM18-05NB-S	NC													
	PM18-05P-S	NO	PNP												
	PM18-05PB-S	NC													
	PM18-08N-S	NO	NPN	10 ~ 30 VDC	8.0mm	800HZ	Non-Flushed								
	PM18-08NB-S	NC													
	PM18-08P-S	NO	PNP												
	PM18-08PB-S	NC													
	PM18-05N	NO	NPN	10 ~ 30 VDC	5.0mm	800HZ	Flushed								
	PM18-05NB	NC													
	PM18-05P	NO	PNP												
	PM18-05PB	NC													
	PM18-08N	NO	NPN	10 ~ 30 VDC	8.0mm	800HZ	Non-Flushed								
	PM18-08NB	NC													
	PM18-08P	NO	PNP												
	PM18-08PB	NC													
<p>Polymid Housing</p>	PM18-08N-P	NO	NPN	10 ~ 30 VDC	8.0mm	800HZ	Non-Flushed								
	PM18-08NB-P	NC													
	PM18-08P-P	NO	PNP												
	PM18-08PB-P	NC													
	PM18-08S-P	NO	SCR					90 ~ 250 VAC	8.0mm	20HZ	Non-Flushed				
	PM18-08SB-P	NC													
	PM18-05S	NO	SCR	90 ~ 250 VAC	5.0mm	20HZ	Flushed								
	PM18-05SB	NC													
	PM18-08S	NO	SCR									90 ~ 250 VAC	8.0mm	20HZ	Non-Flushed
	PM18-08SB	NC													

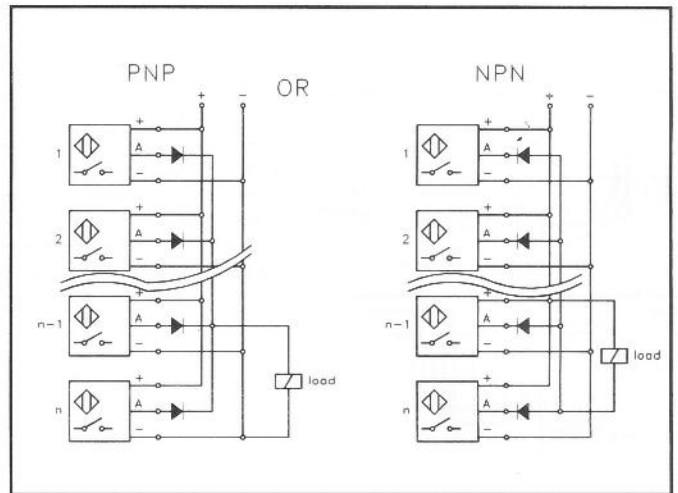
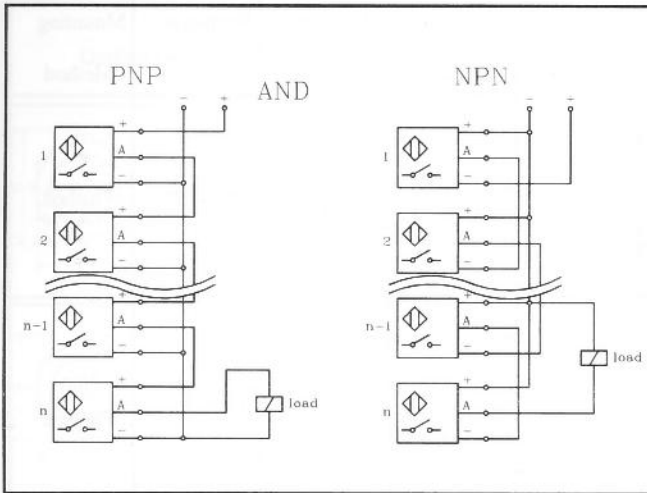
## M30 Tubular Type

Outline Dimension	Model	Output Status	Output Method	Operating Voltage	Sensing Direction	Response Frequency	Mounting Method
	PM30-10N-S	NO	NPN	10 ~ 30 VDC	10.0mm	500HZ	Flushed
	PM30-10NB-S	NC					
	PM30-10P-S	NO	PNP				
	PM30-10PB-S	NC					
	PM30-15N-S	NO	NPN	10 ~ 30 VDC	15.0mm	500HZ	Non-Flushed
	PM30-15NB-S	NC					
	PM30-15P-S	NO	PNP				
	PM30-15PB-S	NC					
	PM30-10N	NO	NPN	10 ~ 30 VDC	10.0mm	500HZ	Flushed
	PM30-10NB	NC					
	PM30-10P	NO	PNP				
	PM30-10PB	NC					
	PM30-15N	NO	NPN	10 ~ 30 VDC	15.0mm	500HZ	Non-Flushed
	PM30-15NB	NC					
	PM30-15P	NO	PNP				
	PM30-15PB	NC					
	PM30-10S	NO	SCR	90 ~ 250 VAC	10.0mm	20HZ	Flushed
	PM30-10SB	NO					
	PM30-15S	NO	SCR	90 ~ 250 VAC	15.0mm	20HZ	Non-Flushed
	PM30-15SB	NO					

## Fixed Bracket



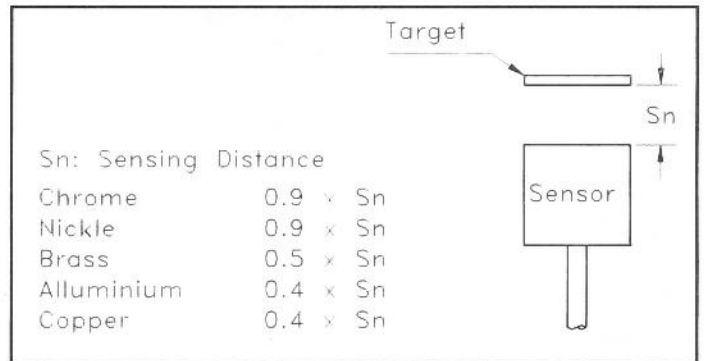
**Connecting Method of AND & OR**



**Basic Definition of Inductive Proximity Sensor**

**Target**

Which is steel, 1 mm thick ness, square form with width lengths equal to the diameter of the sensing surface, if the target is made of a different material, the sensing distance must be multiplied by the Correction Factors.

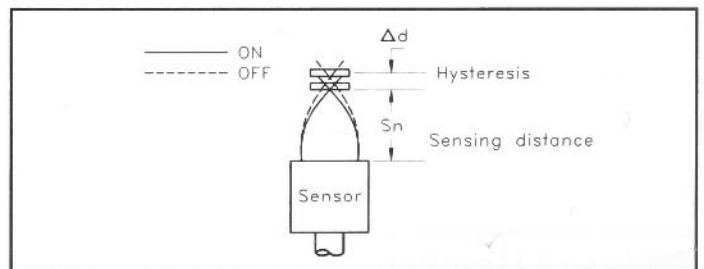


**Accuracy < Repetition >**

Tolerance of operating position that sensor is certainly operated under the same conditions.

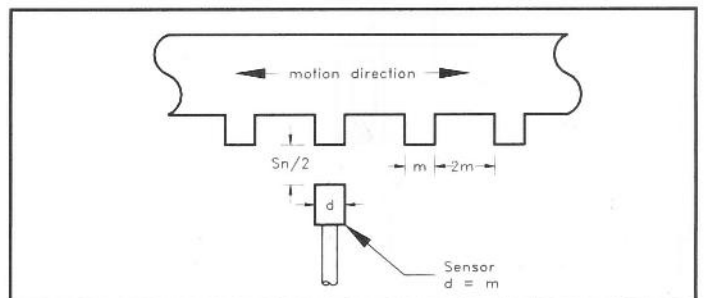
**Hysteresis**

Hysteresis is the different distance between the operating points that the target is approaching and leaving the sensing area of the sensor, The value is expressed as a percentage of the sensing distance,  $< \Delta d / S_n \% >$ .



**Switch frequency**

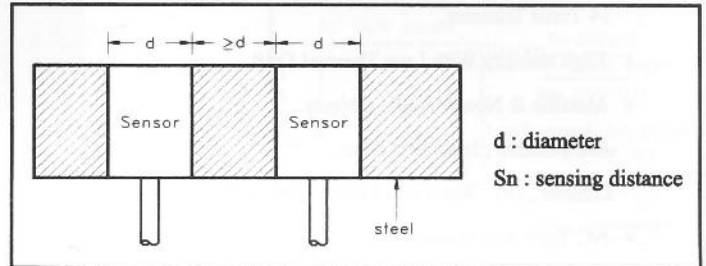
This is the maximum response frequency per second, based on a pulse / pause ratio of 1:2. The sketch shows the condition of test.



## How To Install Induction Proximity Sensor

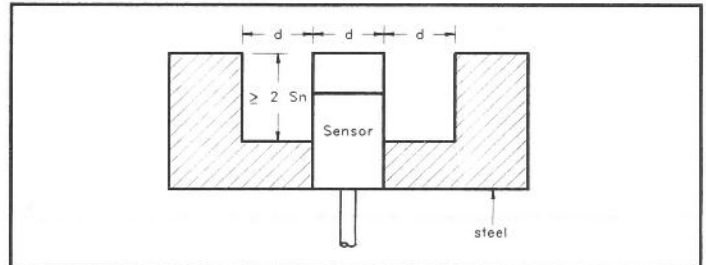
### Flushed type

A proximity sensor can be flushed mounted in metal and surrounded by metal up to the level of the active face.



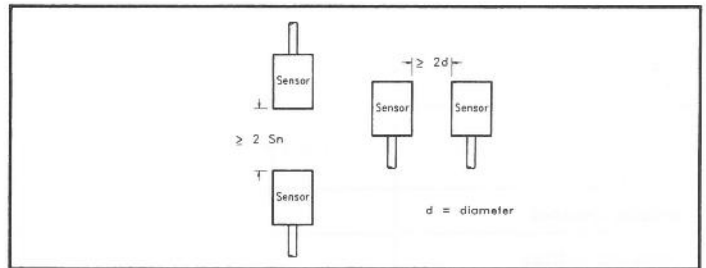
### Non-flushed

A proximity sensor cannot be flushed in metal, a clear zone of 3 times of the diameter of the sensing surface must be kept.



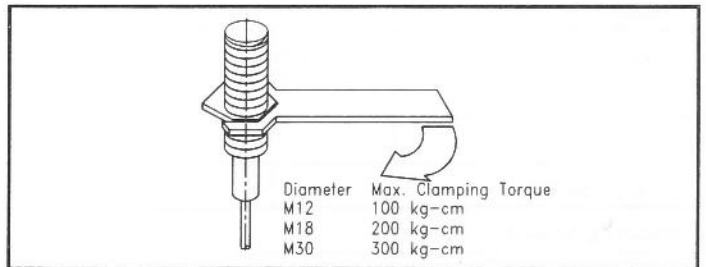
### Mutual Interference

Installing inductive proximity sensors of the same model face to face or side by side, please set the minimum distance between the sensors larger than the diameter of sensor, to avoid the malfunction.



### Clamping torque

Be sure to set a spring washer when fixing the sensor. Don't tighten the sensor's mounting screw of PM series, with a clamping torque higher the right values.



### Wiring

To avoid being influenced by noised. Try best to separate the cable of the sensor from power lines and high

If extend the sensor cable, use a cable which diameter as same as that.